



Meccanismo invisibile brevettato per porte scorrevoli in vetro

Patented concealed mechanism for sliding glass doors

Mécanisme invisible breveté pour portes coulissantes en verre

Patentierter unsichtbarer Mechanismus für Schiebetüren aus Glas

Mecanismo invisible patentado para puertas correderas de vidrio

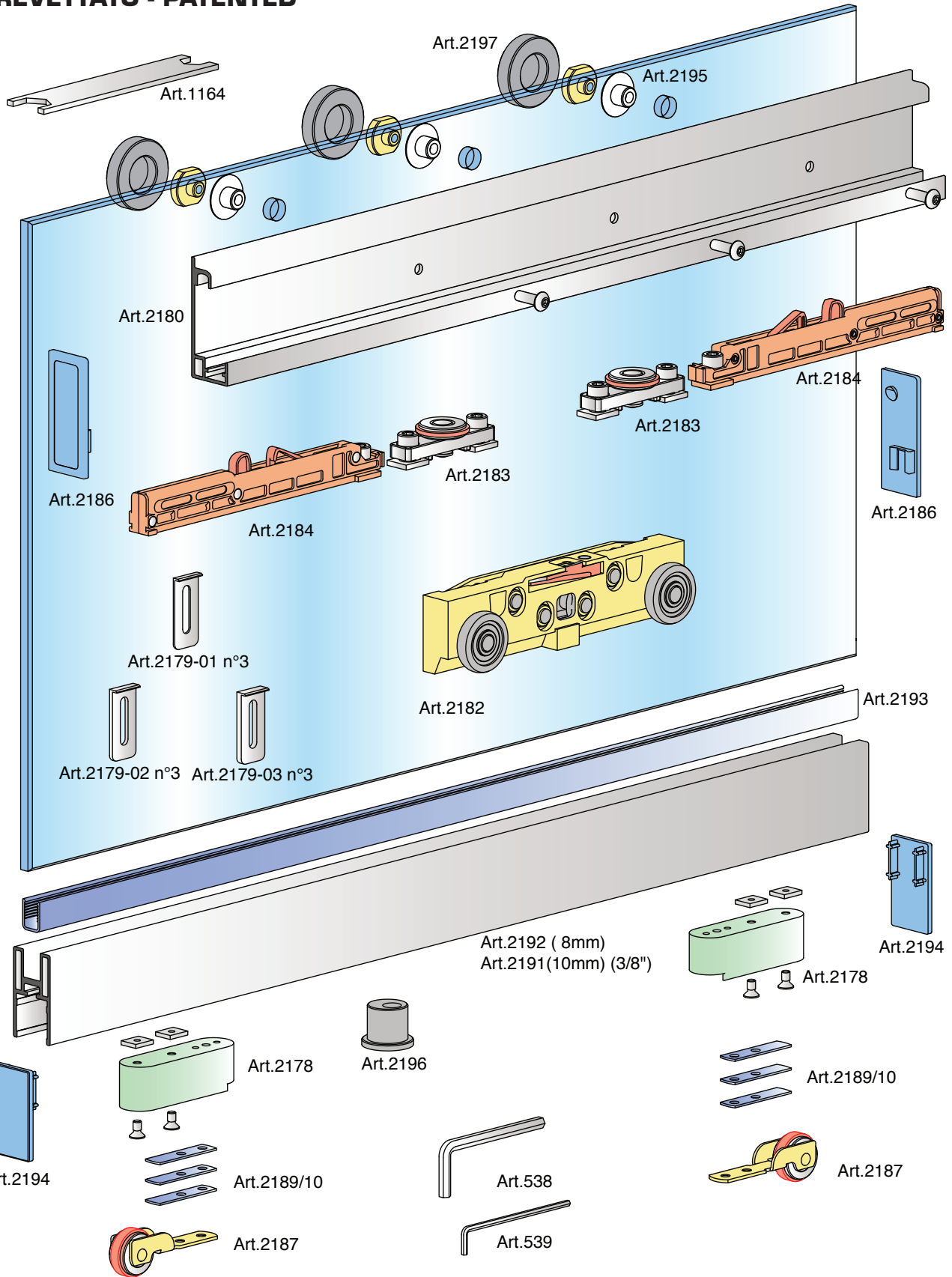
Modello Magic Vetro con borchie

Glass Magic Model with studs
Modèle Magic Verre avec clous
Magic Modell Glas mit Metallverzierungen
Modelo Magic de vidrio con escudos



MAGIC VETRO

BREVETTATO - PATENTED


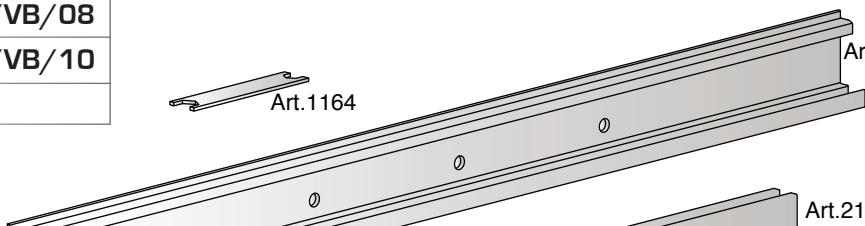
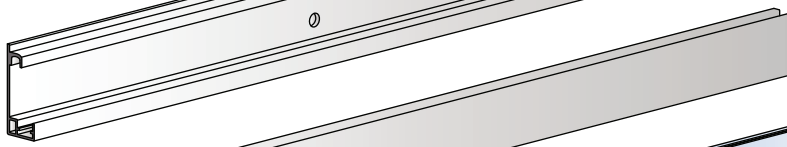
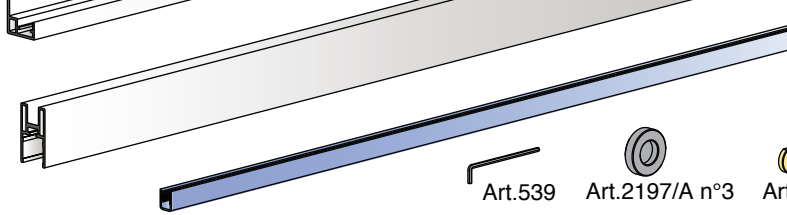



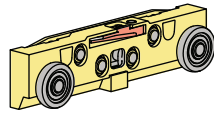

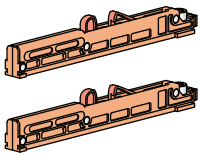







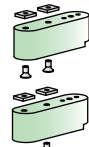
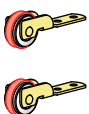
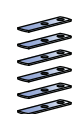
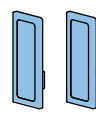
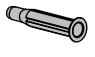




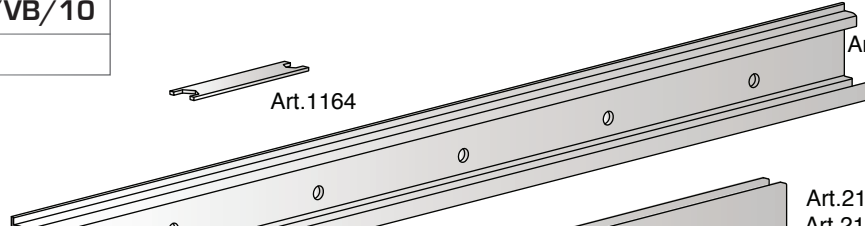
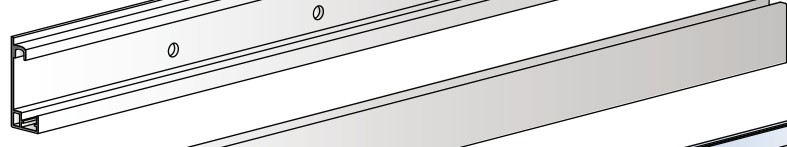
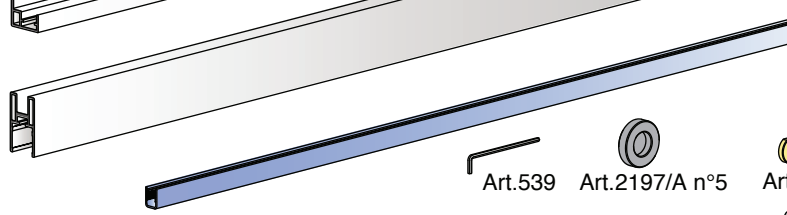



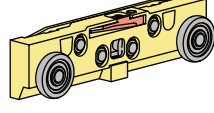

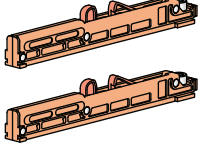







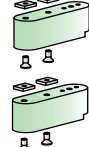
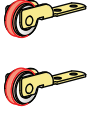
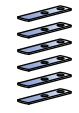
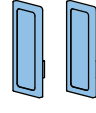


KIT e accessori vetro 8mm-10mm (3/8")

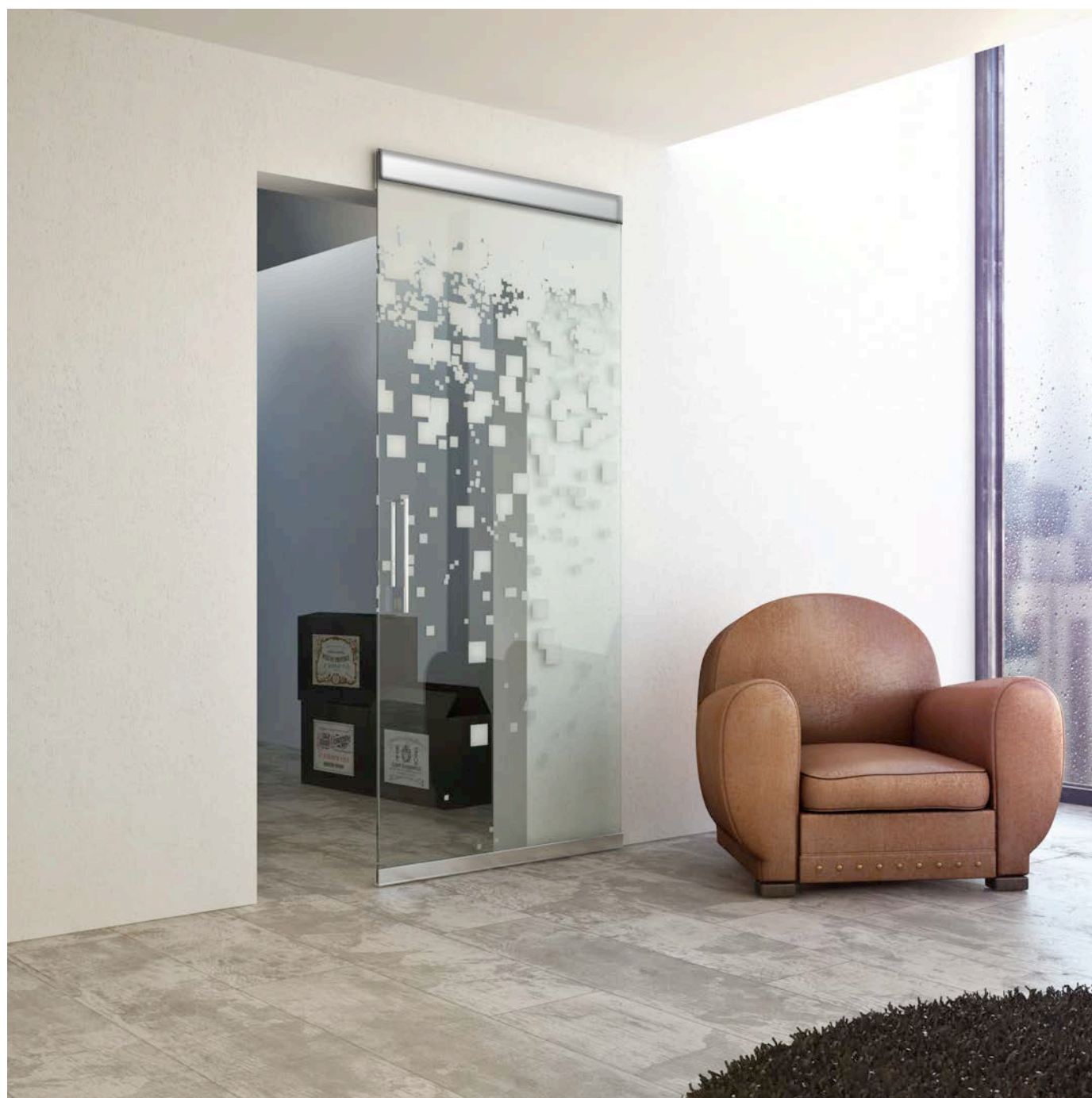


KIT and glass accessories 8mm-10mm (3/8")
 KIT et accessoires verre 8mm-10mm (3/8")
 SET und Glas-Zubehörteile 8mm-10mm (3/8")
 KIT y accesorio vidrio 8mm-10mm (3/8")

MAGIC VETRO

ART.MAGIC/1100/VB/08 ART.MAGIC/1100/VB/10 MAX KG 80	 <p>Art. 1164</p>  <p>Art. 2180/A/1095</p>  <p>Art. 2192/A/1100 (8mm) Art. 2191/A/1100 (10mm) (3/8")</p>  <p>Art. 2193/1100</p>
 <p>Art. 2179-01 n°3</p>  <p>Art. 2179-02 n°3</p>  <p>Art. 2179-03 n°3</p>  <p>Art. 2182</p>	 <p>Art. 2183</p>  <p>Art. 2184</p>  <p>FISCHER SX5 n°1</p>  <p>Art. 2194/A</p>  <p>Art. 538</p>  <p>Art. 2197/A n°3</p>  <p>Art. 2195 n°3</p>  <p>3,9x19 n°4</p>  <p>4x30 n°1</p>  <p>Art. 2178</p>  <p>Art. 2187</p>  <p>Art. 2189/10</p>  <p>Art. 2186/A</p>  <p>FISCHER UX6 n°3</p>  <p>4,5x40 n°3</p>

ART.MAGIC/1800/VB/08 ART.MAGIC/1800/VB/10 MAX KG 80	 <p>Art. 1164</p>  <p>Art. 2180/A/1795</p>  <p>Art. 2192/A/1800 (8mm) Art. 2191/A/1800 (10mm) (3/8")</p>  <p>Art. 2193/1800</p>
 <p>Art. 2179-01 n°3</p>  <p>Art. 2179-02 n°3</p>  <p>Art. 2179-03 n°3</p>  <p>Art. 2182</p>	 <p>Art. 2183</p>  <p>Art. 2184</p>  <p>FISCHER SX5 n°1</p>  <p>Art. 2194/A</p>  <p>Art. 538</p>  <p>Art. 2197/A n°5</p>  <p>Art. 2195 n°5</p>  <p>3,9x19 n°4</p>  <p>4x30 n°1</p>  <p>Art. 2178</p>  <p>Art. 2187</p>  <p>Art. 2189/10</p>  <p>Art. 2186/A</p>  <p>FISCHER UX6 n°3</p>  <p>4,5x40 n°3</p>



Meccanismo invisibile brevettato per porte scorrevoli in vetro

Patented concealed mechanism for sliding glass doors

Mécanisme invisible breveté pour portes coulissantes en verre

Patentierter unsichtbarer Mechanismus für Schiebetüren aus Glas

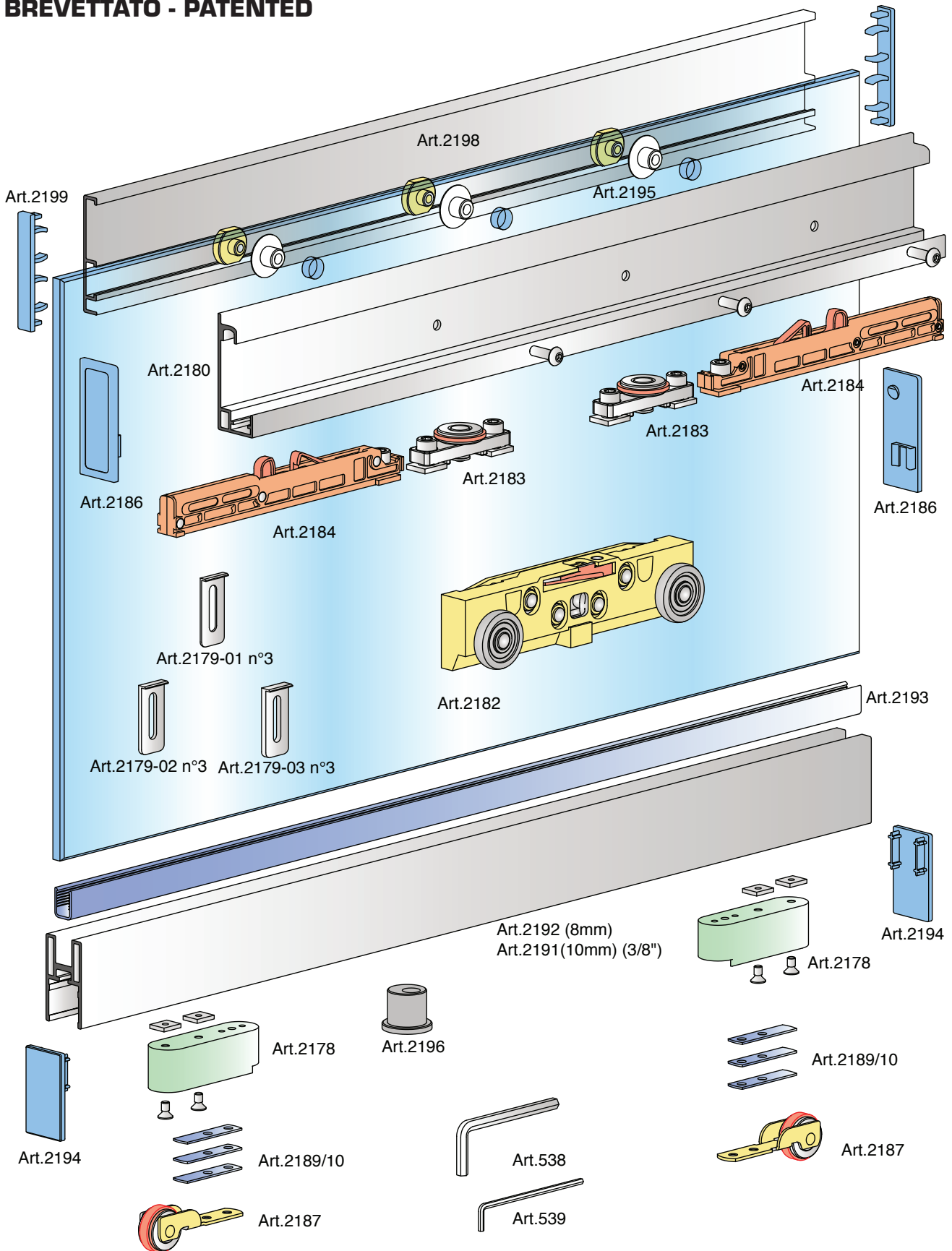
Mecanismo invisible patentado para puertas correderas de vidrio

Modello Magic Vetro con fascia

Glass Magic Model with band
Modèle Magic Verre avec bande
Magic Modell Glas mit Streifband
Modelo Magic de vidrio con escudos



BREVETTATO - PATENTED



MAGIC VETRO

KIT e accessori vetro 8mm-10mm (3/8")

KIT and glass accessories 8mm-10mm (3/8")
 KIT et accessoires verre 8mm-10mm (3/8")
 SET und Glas-Zubehörteile 8mm-10mm (3/8")
 KIT y accesorio vidrio 8mm-10mm (3/8")



MAGIC VETRO

ART.MAGIC/1100/VF/08
ART.MAGIC/1100/VF/10
MAX KG 80

Art.2198/A/1095
 Art.2180/A/1095
 Art.2192/A/1100 (8mm)
 Art.2191/A/1100 (10mm) (3/8")
 Art.2193/1100

Art.2179-01 n°3
 Art.2179-02 n°3
 Art.2179-03 n°3

Art.2183
 Art.2184

Art.2182

Art.539
 Art.2199/A
 Art.2195 n°3
 3,9x19 n°4

FISCHER SX5 n°1
 Art.2194/A
 Art.538
 FISCHER UX6 n°3
 4,5x40 n°3

4x30 n°1
 Art.2196
 Art.2178
 Art.2187
 Art.2189/10
 Art.2186/A

ART.MAGIC/1800/VF/08
ART.MAGIC/1800/VF/10
MAX KG 80

Art.2198/A/1795
 Art.2180/A/1795
 Art.2192/A/1800 (8mm)
 Art.2191/A/1800 (10mm) (3/8")
 Art.2193/1800

Art.2179-01 n°3
 Art.2179-02 n°3
 Art.2179-03 n°3

Art.2183
 Art.2184

Art.2182

Art.539
 Art.2199/A
 Art.2195 n°5
 3,9x19 n°4

FISCHER SX5 n°1
 Art.2194/A
 Art.538
 FISCHER UX6 n°3
 4,5x40 n°3

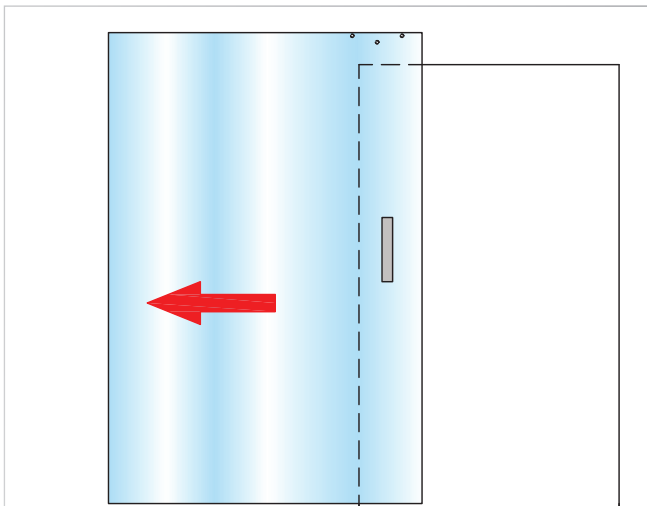
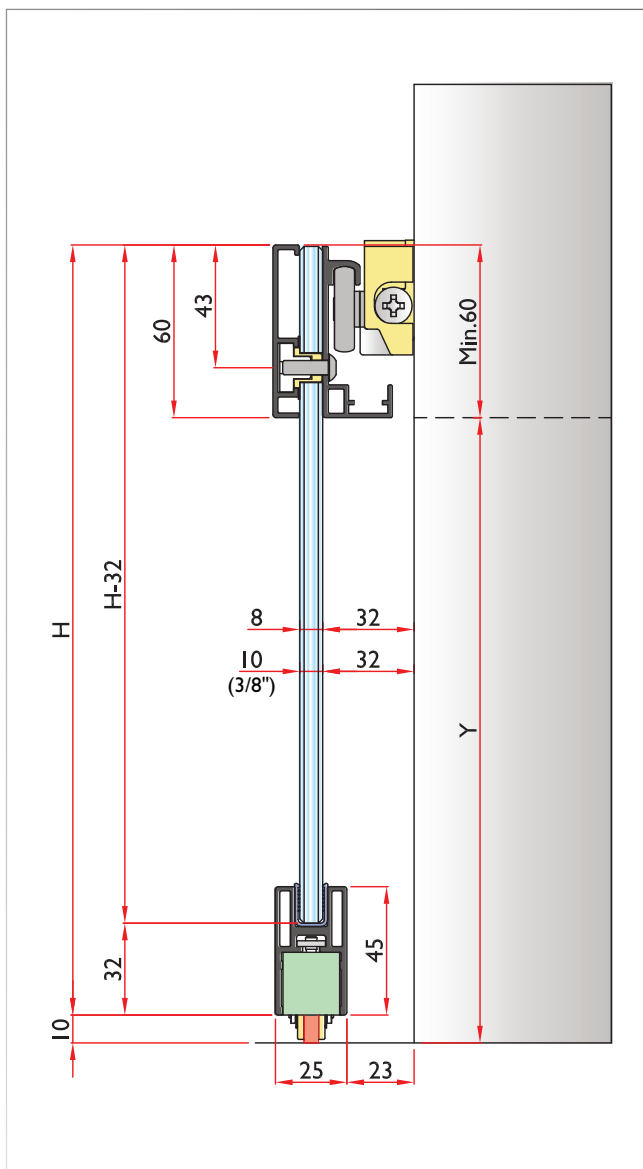
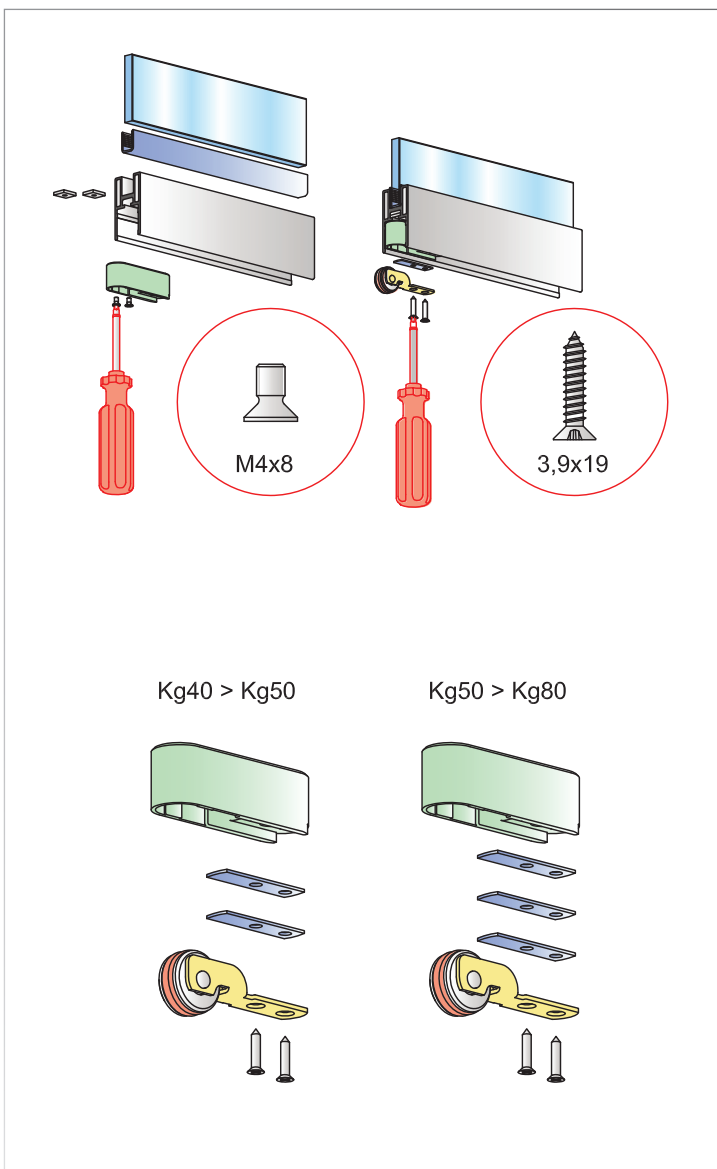
4x30 n°1
 Art.2196
 Art.2178
 Art.2187
 Art.2189/10
 Art.2186/A

Descrizione misure e portate

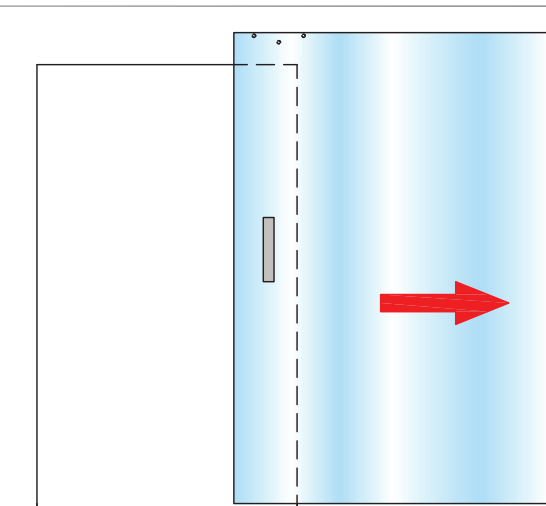
Description of sizes and capacities
 Description dimensions et envergure
 Beschreibung Größen und Tragfähigkeiten
 Descripción medidas y capacidades



MAGIC VETRO



APERTURA VERSO SINISTRA
 LEFT OPENING



APERTURA VERSO DESTRA
 RIGHT OPENING

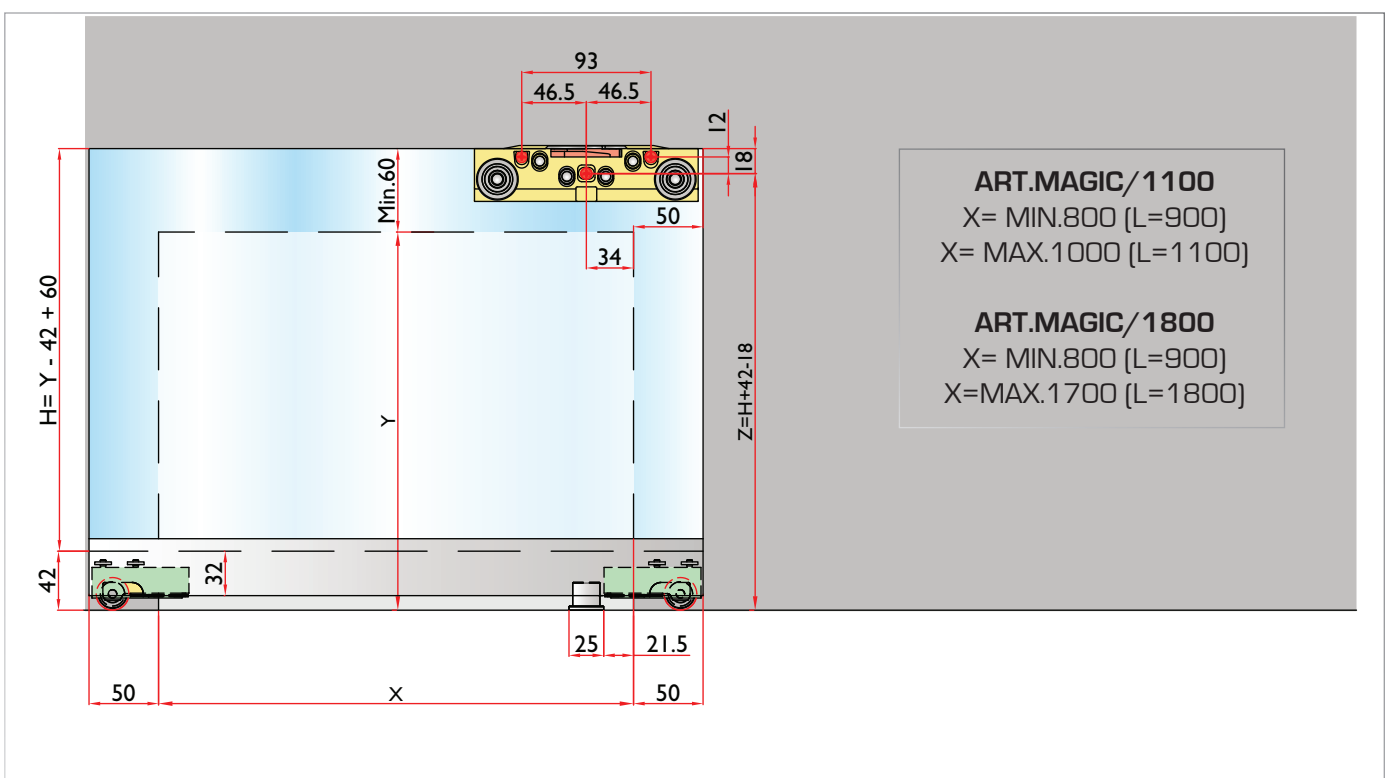
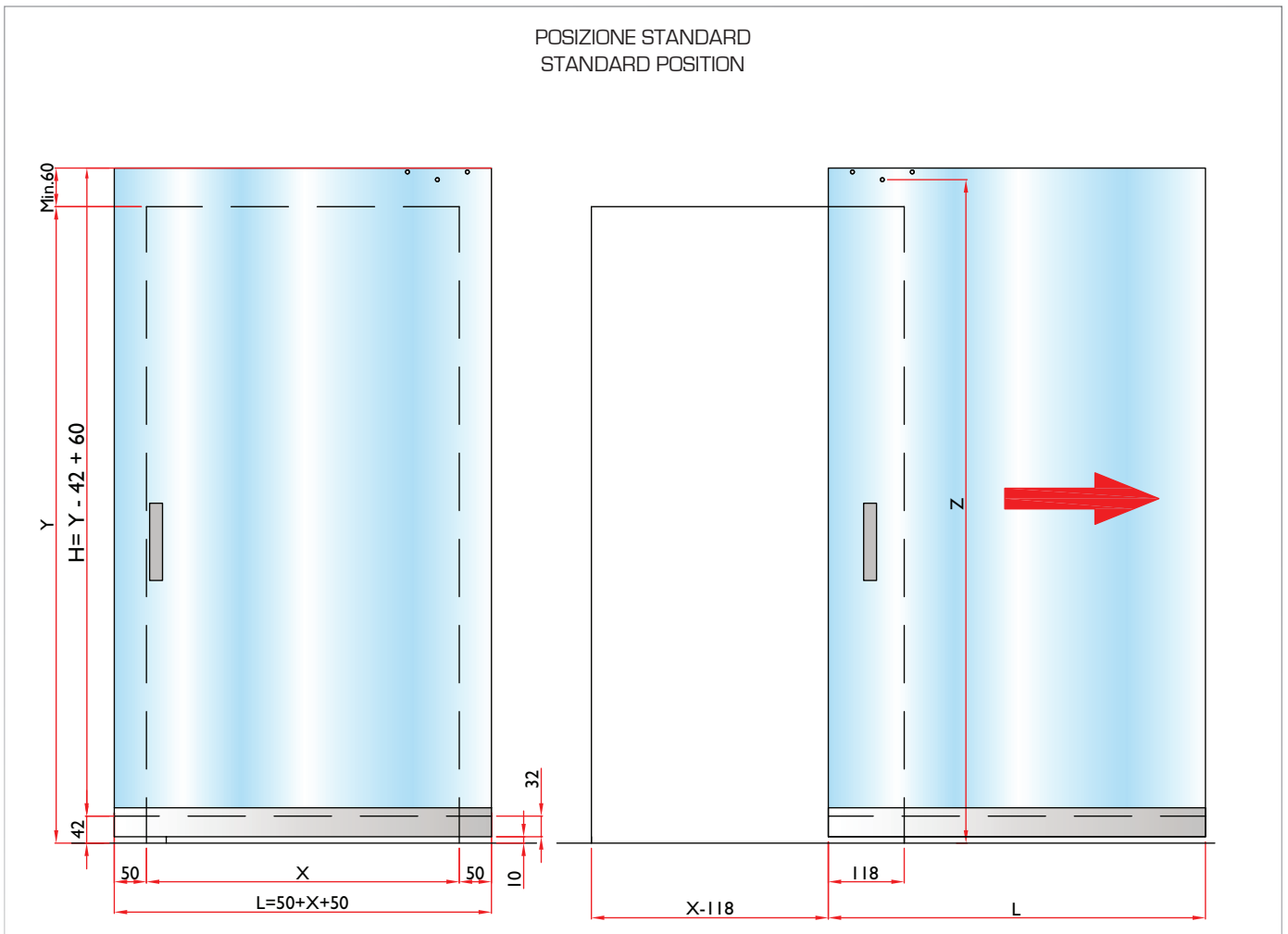
Posizionamento degli accessori



Placing accessories
Déposer les accessoires
Platzieren Zubehör
Colocación de los accesorios

MAGIC VETRO

POSIZIONE STANDARD
STANDARD POSITION

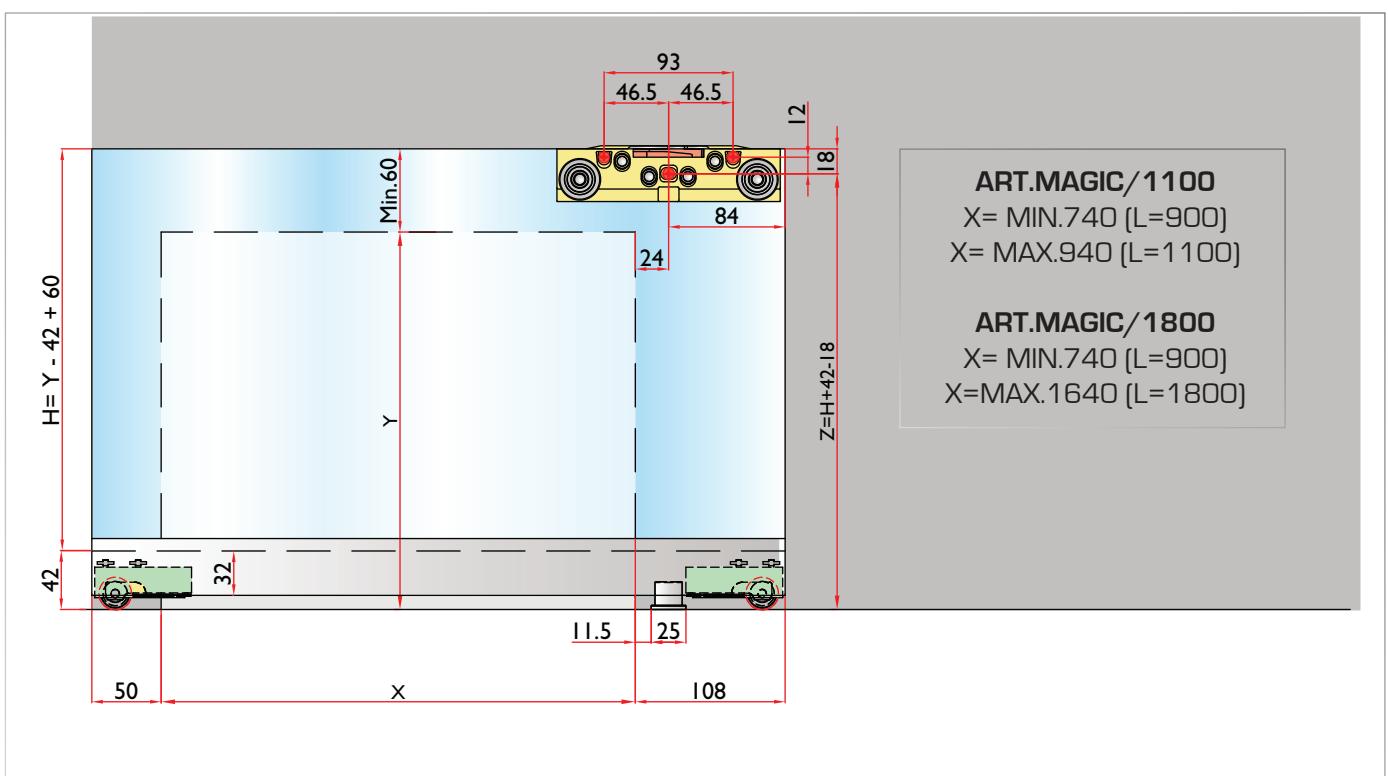
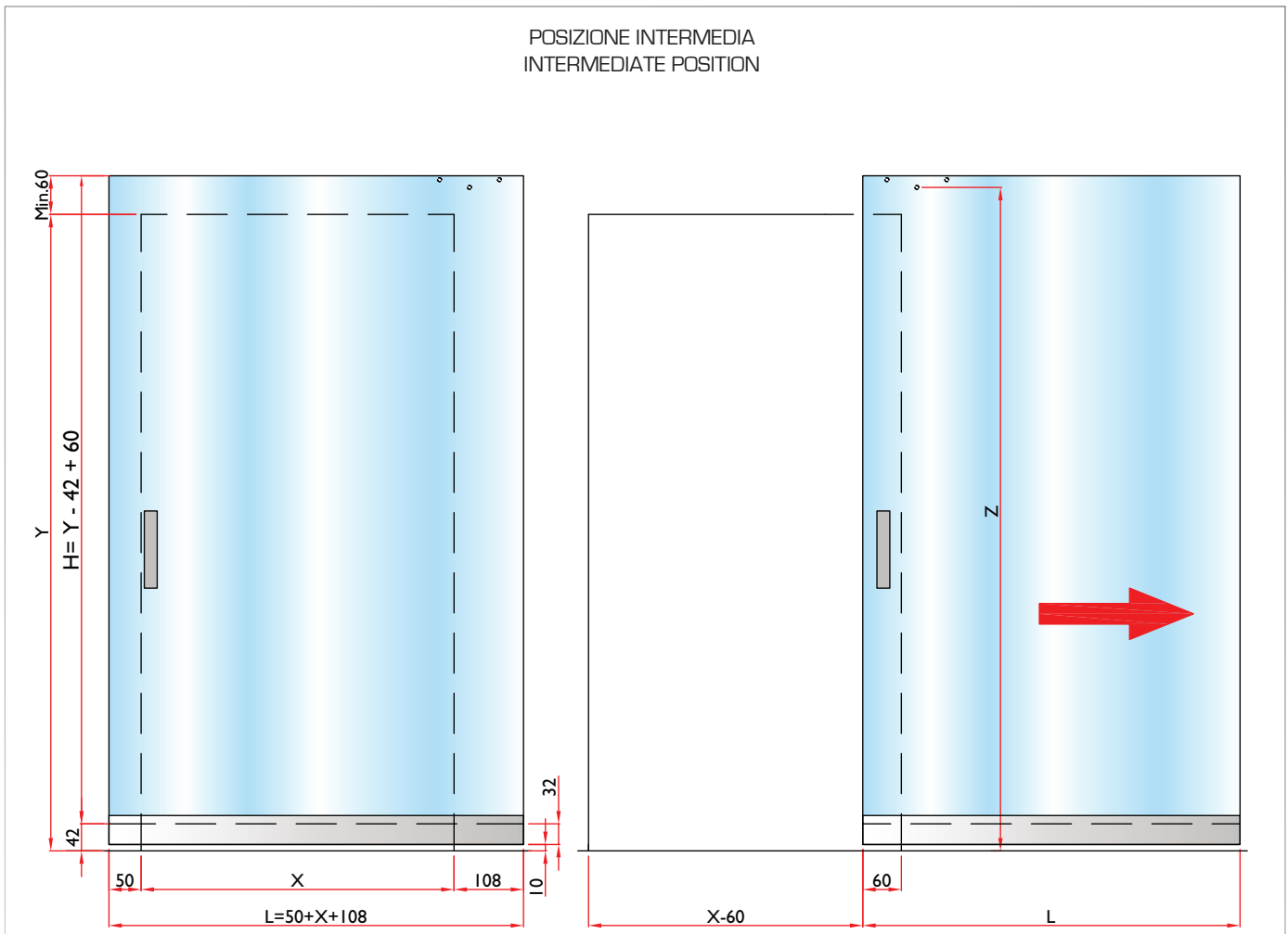


Posizionamento degli accessori



Placing accessories
 Déposer les accessoires
 Platzieren Zubehör
 Colocación de los accesorios

POSIZIONE INTERMEDIA
 INTERMEDIATE POSITION



MAGIC VETRO

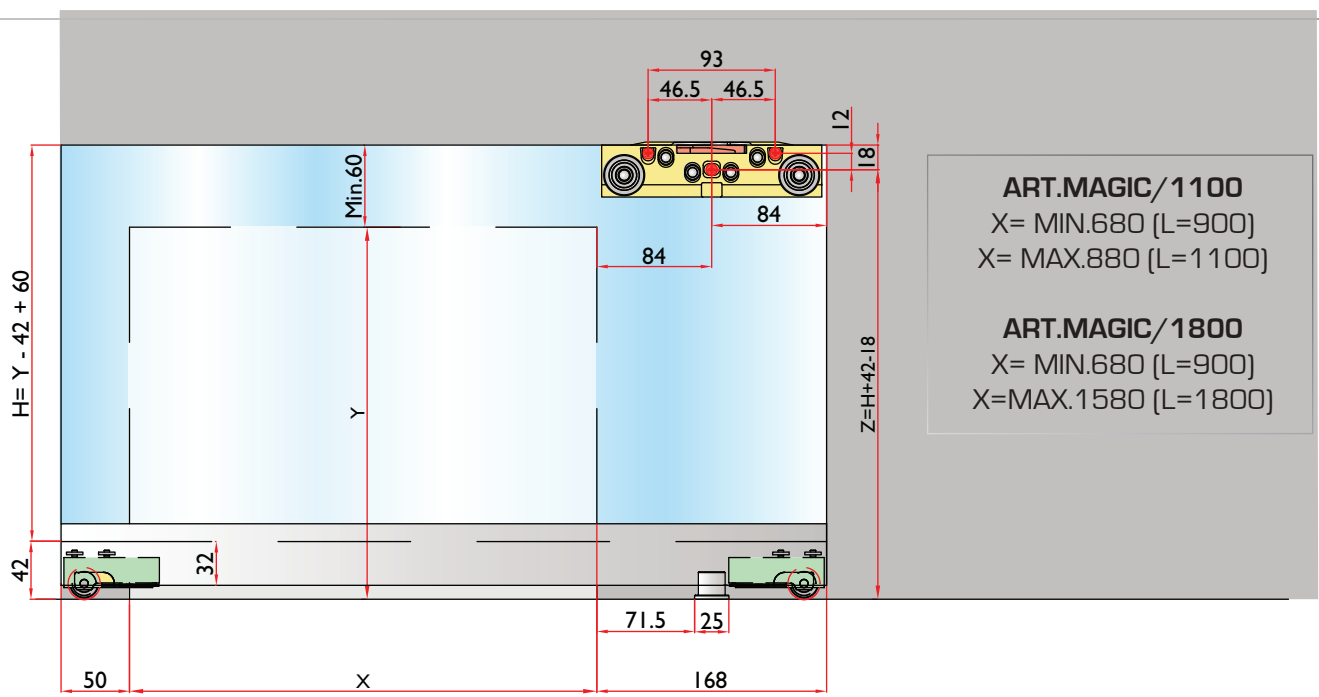
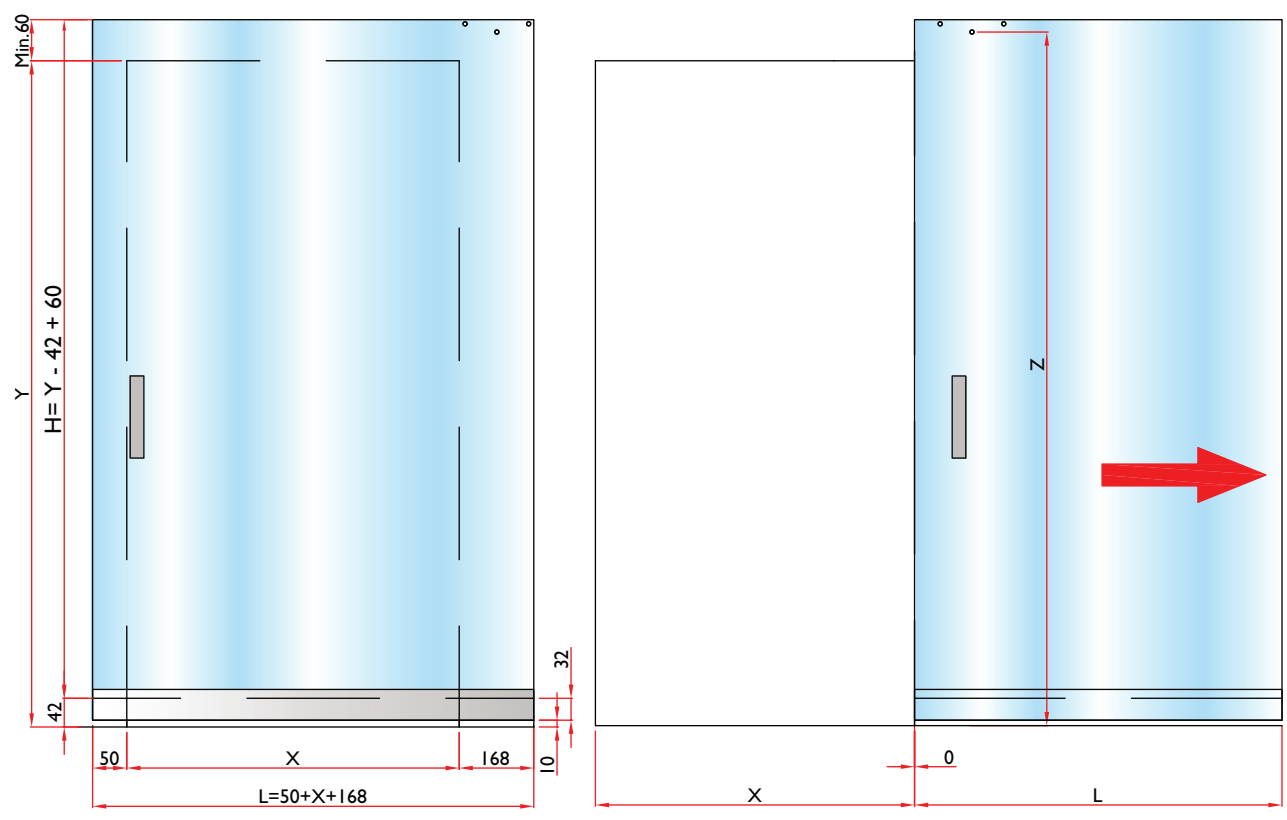
Posizionamento degli accessori



Placing accessories
Déposer les accessoires
Platzieren Zubehör
Colocación de los accesorios

MAGIC VETRO

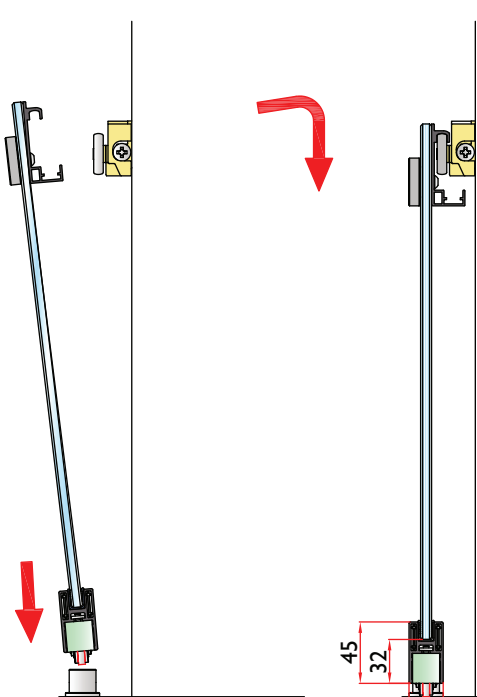
POSIZIONE APERTURA TOTALE
TOTAL OPENING POSITION



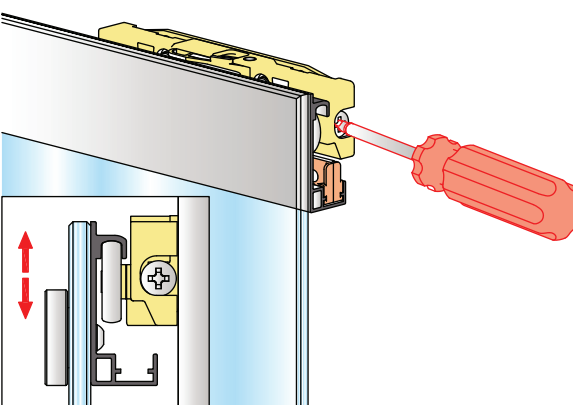
ART.MAGIC/1100
X= MIN.680 (L=900)
X= MAX.880 (L=1100)

ART.MAGIC/1800
X= MIN.680 (L=900)
X= MAX.1580 (L=1800)

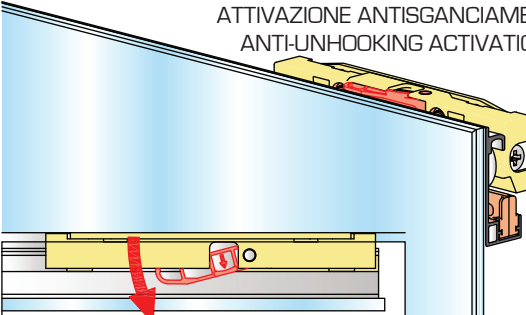
POSIZIONAMENTO PORTA
DOOR POSITIONING



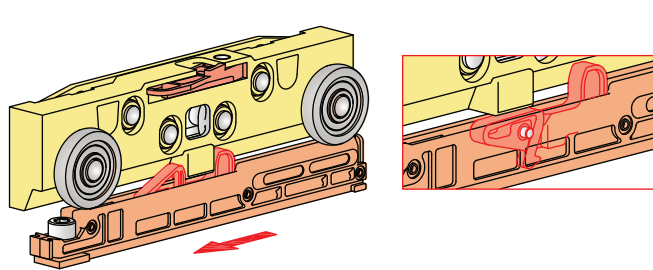
REGOLAZIONE CARRELLO
SLIDING ADJUSTMENT



ATTIVAZIONE ANTISGANCIAMENTO
ANTI-UNHOOKING ACTIVATION



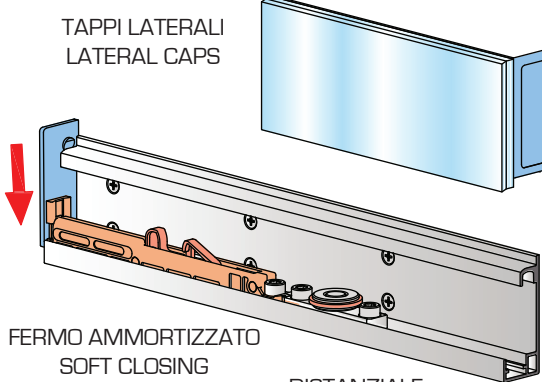
CARICAMENTO AUTOMATICO DEL FERMO AMMORTIZZATO
SELF ACTIVATING SOFT CLOSING SYSTEM



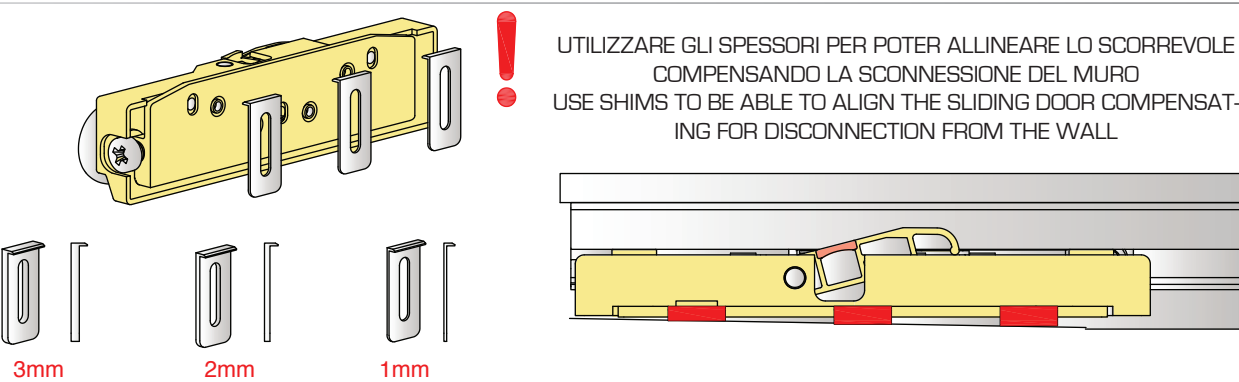
TAPPI LATERALI
LATERAL CAPS

FERMO AMMORTIZZATO
SOFT CLOSING

DISTANZIALE
SPACER



UTILIZZARE GLI SPESSORI PER POTER ALLINEARE LO SCORREVOLE
USE SHIMS TO BE ABLE TO ALIGN THE SLIDING DOOR COMPENSATING FOR DISCONNECTION FROM THE WALL



3mm 2mm 1mm